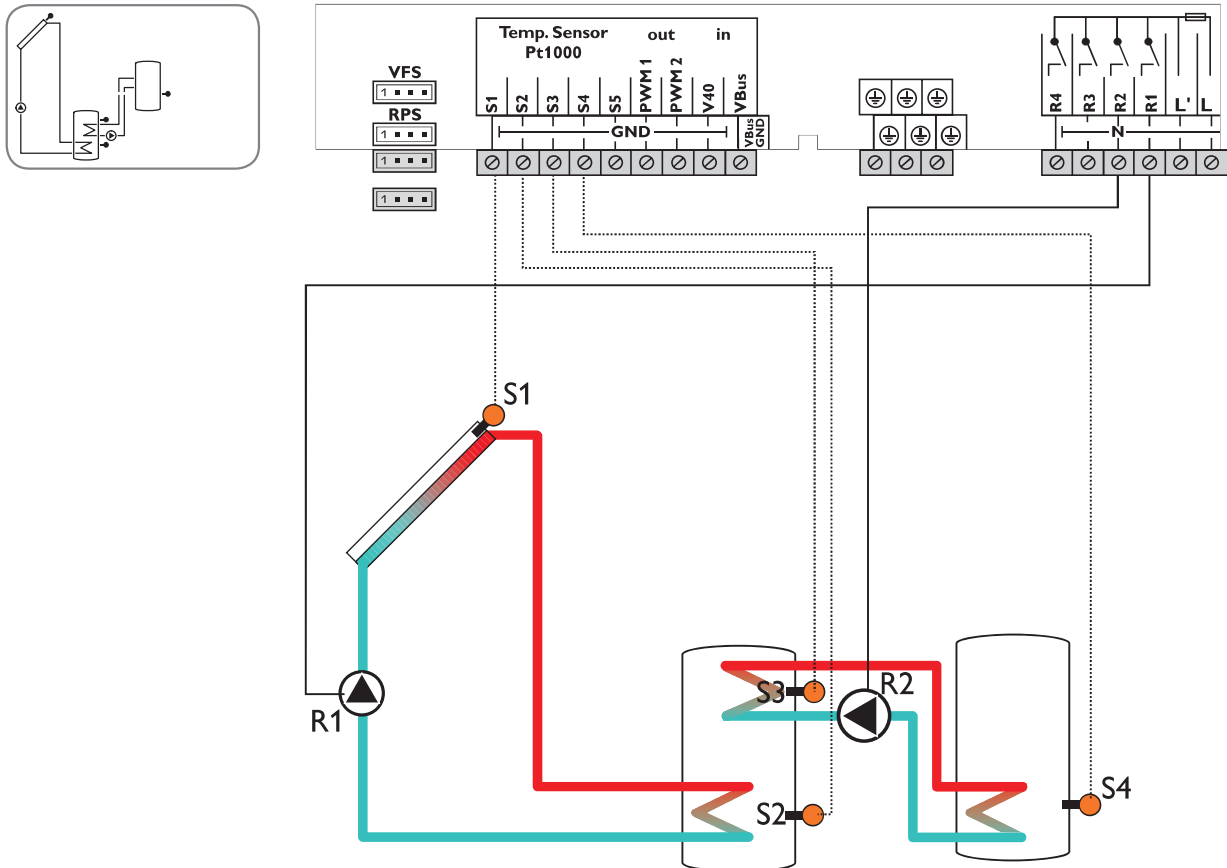


System 2

Solar system with 2 stores and heat exchange

The controller calculates the temperature difference between collector sensor S1 and store sensor S2. If the difference is larger than or identical to the adjusted switch-on temperature difference, the pump (R1) will be switched on

and the store will be loaded until the switch-off temperature difference or the maximum store temperature is reached. Heat exchange between S3 and S4 is possible.



Sensor/Terminal	Designation	Description
S1	TCOL	Temperature collector
S2	TST1B	Temperature store 1 base
S3	TST1T	Temperature store 1 top
S4	TST2B	Temperature store 2 top
S5		Optional sensor for measurement purposes or options
VFS		
RPS		
V40		

Relay	Description
R1	Solar pump
R2	Heat exchange pump
R3	optional:
R4	Thermal disinfection Booster pump Parallel relay Heat dump

Adjustment channels						
Channel	Sub channel 1	Sub channel 2	Factory setting	Change to	Description	Page
ARR			1	2	System	78
LOAD >					Loading	
	DT O		6 K		Switch-on temperature difference	78
	DT F		4 K		Switch-off temperature difference	78
	DT S		10 K		Set temperature difference	78
	RIS		2 K		Rise	78
	S MAX		60 °C		Store maximum limitation	79
	S MAXS		2		Sensor store max	79
COL >					Collector	
	CEM		130 °C		Collector emergency temperature	80
	OC CO*:		OFF		Option collector cooling	80
		C MAX	110 °C		Maximum collector temperature	80
	OC MI		OFF		Option collector minimum limitation	80

Adjustment channels						
Channel	Sub channel 1	Sub channel 2	Factory setting	Change to	Description	Page
		CMIN	10 °C		Minimum collector temperature	80
	OTCO		OFF		Option tube collector function	81
		TCST	07:00		Tube collector starting time	81
		TCEN	19:00		Tube collector ending time	81
		TCRU	30 s		Tube collector runtime	81
		TCIN	30 min		Tube collector standstill interval	81
	OCFR		OFF		Option collector frost protection	81
		CFR O	4 °C		Antifreeze temperature collector on	81
		CFR F	5 °C		Antifreeze temperature collector off	81
LLOGI >					Loading logic	
	ODB >		OFF		Drainback option	83
	OOVRU*		OFF		Overrun option	84
COOL >					Cooling functions	
	OSYC**		OFF		System cooling	85
	OSTC		OFF		Store cooling	85
	OHDP**		OFF		Heat dump	85
DT3 >					Heat exchange	
	DT3O		6 K		Switch-on difference	86
	DT3F		4 K		Switch-off difference	86
	DT3S		10 K		Set difference	86
	RIS3		2 K		Rise	86
	MAX3O		60 °C		Switch-on temperature (maximum limitation)	86
	MAX3F		58 °C		Switch-off temperature (maximum limitation)	86
	MIN3O		5 °C		Switch-on temperature (minimum limitation)	86
	MIN3F		10 °C		Switch-off temperature (minimum limitation)	86
	S2DT3		4		Reference sensor heat sink	86
PUMP >					Pump speed	
	PUMP1		OnOF		Speed variant pump 1	79
	PUMP2		OnOF		Speed variant pump 2	79
	PUMP3		OnOF		Speed variant pump 3	79
MAN >					Manual mode	
	MAN1		Auto		Manual mode 1	88
	MAN2		Auto		Manual mode 2	88
	MAN3		Auto		Manual mode 3	88
	MAN4		Auto		Manual mode 4	88
BLPR >			OFF		Blocking protection	88
OTDIS >			OFF		Thermal disinfection option	88
OPARR >			OFF		Parallel relay option	89
OHQM*** >			OFF		Heat quantity measurement option	90
GFDS >			OFF		Registration Grundfos sensors	90
PRS* >			OFF		Pressure monitoring option	92
DATE >			OFF		Enter date	92
LANG >			En		Language	93
UNIT >			°C		Unit	93
OSDC >					SD card option	93
CODE			0000		User code	96
RESET			OFF		Factory setting	

* This channel is only available if the Grundfos sensors have been registered in the **GFDS** channel.

** are blocked against each other

*** For heat quantity measurement see the information on p. 90.