

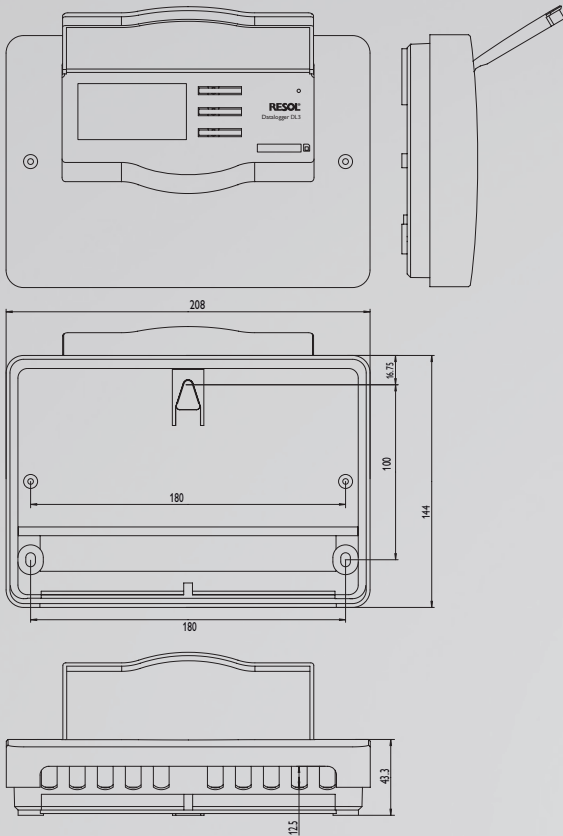
## Monitor up to 6 controllers with the DL3 Datalogger



- ✓ Data logging and parameterisation of up to 6 VBus® master devices
- ✓ Temperature measurements and logging via integrated sensor inputs possible
- ✓ Current loop interface 0(4)-20 mA
- ✓ BACnet functionality for BACnet-conform transmission and reception of data
- ✓ All important settings directly adjustable on the DL3
- ✓ Easy Internet access via VBus.net technology without port routing
- ✓ Live data configuration with filters and customised views
- ✓ Data logging onto SD card
- ✓ Firmware update possible over SD card or Internet

Subject to technical changes

# Technical data



**Housing:** plastic, PC-ABS and PMMA

**Protection type:** IP 20/EN 60529

**Protection class:** III

**Ambient temperature:** 0 ... 40 °C

**Dimensions:** 144 x 208 x 43 mm

**Mounting:** wall mounting, mounting into patch panels possible

**Display:** full graphic display for status visualisation and operating control LED

**Inputs:** for 3 Pt1000, Pt500 or KTY temperature sensors, 1 current loop interface 0(4)-20 mA

**Operation:** 3 push buttons

**Interfaces:** 6 x VBus® (slave), 1 x SD card slot, 1 x LAN (10/100), 1 x USB master

**Data memory:** 192 MB (internal)

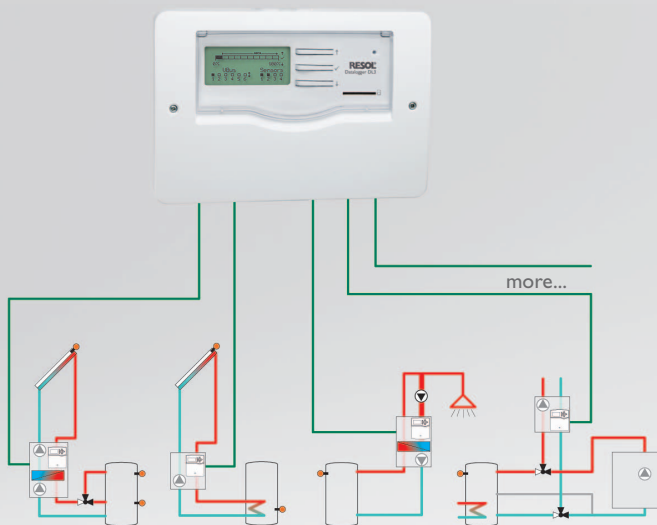
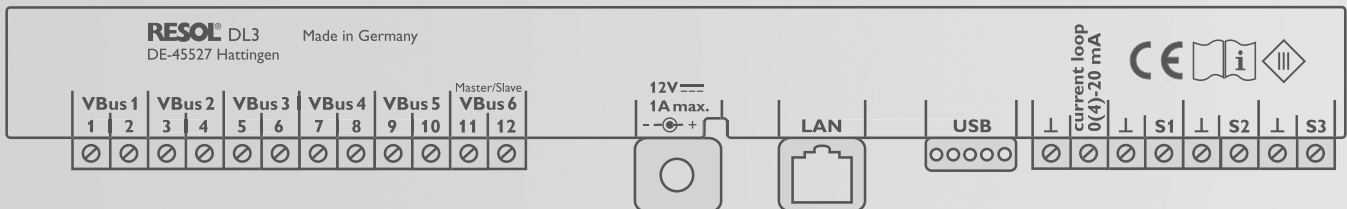
**Power supply:**

input voltage of mains adapter: 100 ... 240 V~

rated current: 1 A

input voltage of Datalogger: 12 V=

## Electrical connection



Be it solar thermal, heating or DHW heat exchange controllers – with the RESOL DL3 you can easily and conveniently log system data of up to 6 controllers. Get a comprehensive overview of all controllers connected with the large full graphic display. Transfer data with an SD memory card or use the LAN interface to view and process data on your PC.

