

DeltaSol® SL



Modern  
design, many  
application  
possibilities!

Manuals:



With its versatile software, the **DeltaSol® SL** can control even complex systems easily and reliably. **27 pre-configured system layouts** with up to 3 hydraulic variants each facilitate the commissioning and enable the adaptation to the individual system requirements.

The operation via 2 main buttons and 1 adjustment dial, the **Lightwheel®**, still follows the well-known operating concept. The **multicoloured LED**, integrated in the **Lightwheel®**, offers many possibilities to signal different system states.

The microSD card slot and the **2 microbuttons** for quick access to the manual mode and the holiday function are located underneath the slidable housing cover, the **SLider**.

- 4 relay outputs (incl. 1 extra-low voltage relay)
- 4 inputs for Pt1000, Pt500 or KTY temperature sensors
- Inputs for 1 analogue Grundfos Direct Sensor™ and 1 Flowrotor
- 1 V40 impulse input (also usable as a Pt1000, Pt500 or KTY temperature sensor input)
- 2 PWM outputs for the speed control of high-efficiency pumps
- 27 basic system layouts with up to 3 hydraulic variants each to choose from
- Automatic function control according to VDI 2169

RESOL DeltaSol® SL

Price bracket A | Article no.: **115 003 33**

RESOL DeltaSol® SL – Full kit

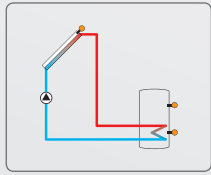
Incl. 4 Pt1000 sensors (2 x FKP6, 2 x FRP6)

Price bracket A | Article no.: **115 003 43**

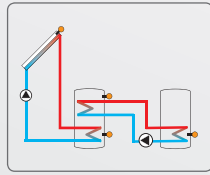
Customised and OEM versions are available on request. Please contact our sales team.



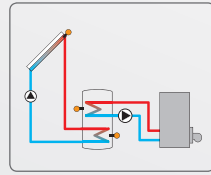
## Examples



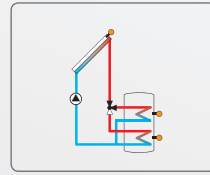
Solar system with 1 store



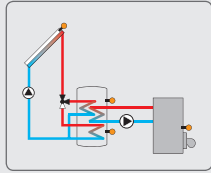
Solar system with 1 store and heat exchange controller



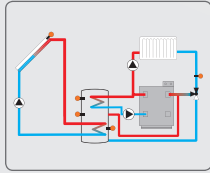
Solar system with 1 store and thermostatic afterheating



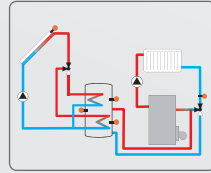
Solar system with store loading in layers



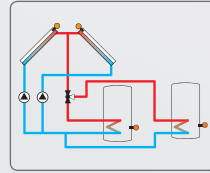
Solar system with store loading in layers and solid fuel boiler



Solar system with 1 store, heating circuit return preheating and thermostatic afterheating

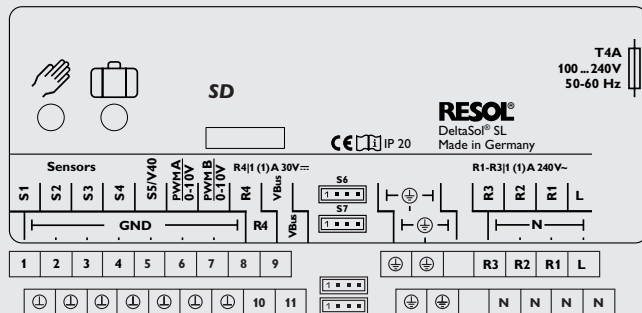


Solar system with multi-layer store and heating circuit return preheating



Solar system with east-/west collectors and 2 stores (valve logic)

## Electrical connection



Sensor 6: Grundfos Direct Sensor™, Sensor 7: Flowrotor

## Accessories



MicroSD card  
MicroSD card, 4 GB memory capacity, incl. adapter  
Price bracket C | Article no.: **180 007 41**



VFS/RPS Grundfos Direct Sensor™  
Analogue sensors in different versions



RESOL DL2 Datalogger  
Datalogger incl. RESOL Service CD, SD card and LAN cable, mains adapter and VBus® cable pre-connected  
Price bracket A | Article no.: **180 007 10**

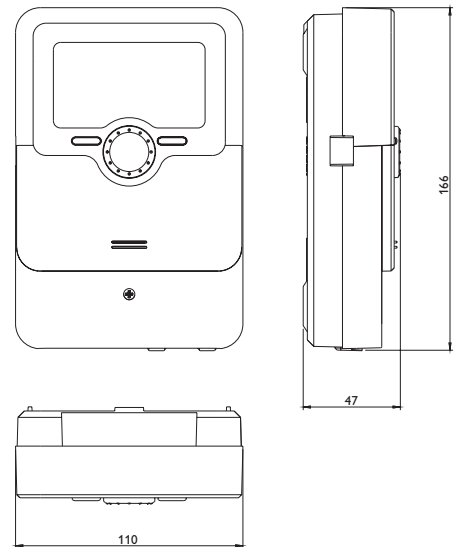


RESOL AM1  
Alarm module for signalling system failures  
Price bracket B | Article no.: **180 008 70**



RESOL SP10  
Sensor overvoltage protection  
Price bracket A | Article no.: **180 110 70**

## Technical data



**Inputs:** 4 inputs for Pt1000, Pt500 or KTY temperature sensors, 1 analogue Grundfos Direct Sensor™, 1 Flowrotor, 1 V40 impulse input (also usable as a Pt1000, Pt500 or KTY temperature sensor input)

**Outputs:** 3 semiconductor relays, 1 potential-free extra-low voltage relay, 2 PWM outputs (switchable to 0-10 V)

**PWM frequency:** 512 Hz

**PWM voltage:** 10,8 V

**Switching capacity:**

1 (1) A 240 V~ (semiconductor relay)  
4 (2) A 24 V~/240 V~ (potential-free relay)

**Total switching capacity:** 4 A 240 V~

**Power supply:** 100 ... 240 V~ (50 ... 60 Hz)

**Supply connection:** type Y attachment

**Power consumption:** < 1 W (standby)

**Mode of operation:** type 1.B.C.Y action

**Rated impulse voltage:** 2.5 kV

**Data interface:** RESOL VBus®, MicroSD card slot

**VBus® current supply:** 60 mA

**Functions:** operating hours counter, tube collector function, thermostat function, pump speed control, heat quantity measurement, adjustable system parameters and optional functions (menu-driven), balance and diagnostics function, function control according to VDI 2169

**Housing:** plastic, PC-ABS and PMMA

**Mounting:** wall mounting, mounting into patch panels is possible

**Indication / Display:** System-Monitoring-Display, for visualisation of the systems, 16-segment-display, 8 symbols for indication of the system status, Lightwheel® (adjustment dial) and background illumination

**Operation:**

4 push buttons at the front and 1 Lightwheel®

**Ingress protection:** IP 20 / EN 60529

**Protection class:** I

**Ambient temperature:** 0 ... 40 °C

**Pollution degree:** 2

**Dimensions:** 110 x 166 x 47 mm