

## Datalogger DL2

Datalogging and visualisation

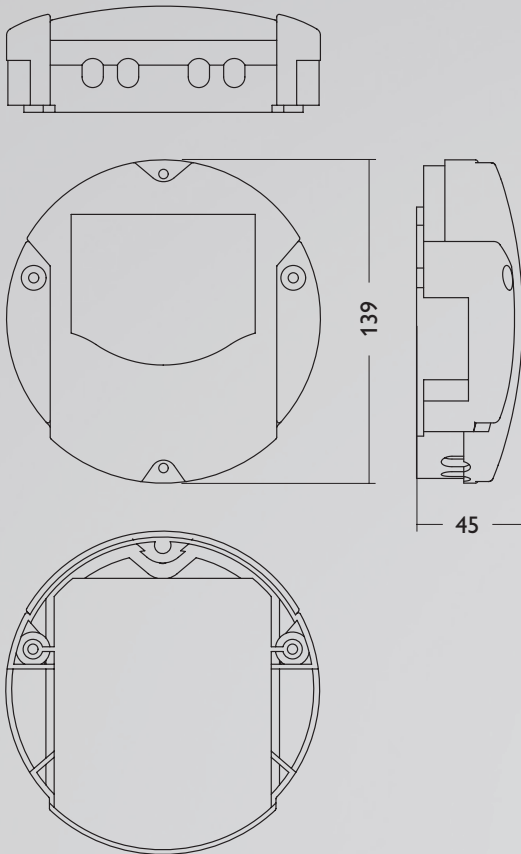


rosenthal design 

- Visualisation of system states
- Yield monitoring
- Easy error diagnostics
- Internet access via VBus.net – without any tedious router configuration
- Export function for further data processing in spreadsheet programs
- Direct connection of PC or router for remote enquiry

Subject to technical changes

## Technical data



**Housing:** plastic PC-ABS and PMMA

**Protection type:** IP 20/EN 60529

**Ambient temperature:** 0 ... 40 °C

**Dimensions:** Ø 130 mm, depth 45 mm

**Mounting:** wall mounting

**Display:** bar LED for monitoring the memory capacity, 1 illuminated push button for indication of the SD card status

**Interfaces:** VBus® for connection to RESOL controllers, LAN

**Power supply:**

input voltage of mains adapter: 100 ... 240 V~, 50-60 Hz

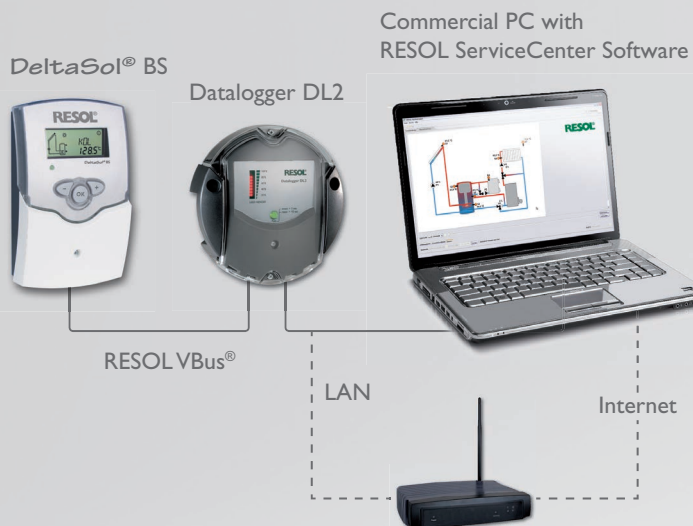
rated current: 350 mA

input voltage of Datalogger: 5V $\pm$  5 %

**Memory:** 180 MB internal memory, with a logging interval of 5 min. sufficient for:

- 30 months for a systems with one *DeltaSol*® E, one HKM and one WMZ module
- 60 months for a system with one *DeltaSol*® E and one HKM
- 120 months for a system with one *DeltaSol*® E

## Electrical connection



This additional module enables the acquisition and storage of large amounts of data (such as measuring and balance values of the solar system) over a long period of time. System access is possible with just a few clicks via VBus.net – without any network knowledge or tedious router configuration. For transmission of the data stored in the internal memory of the DL2 to a PC, an SD card can be used.

The DL2 is appropriate for all controllers with RESOL VBus®. It can be connected directly to a PC or router for remote access and thus enables comfortable system monitoring for yield monitoring or for diagnostics of faults.

